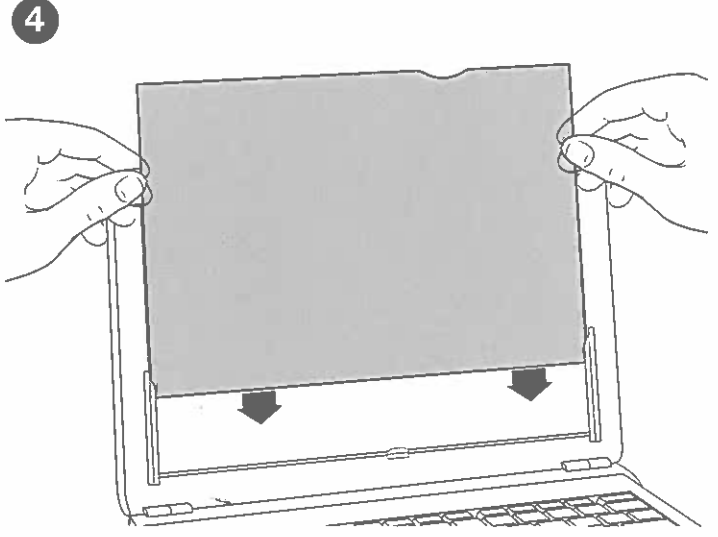
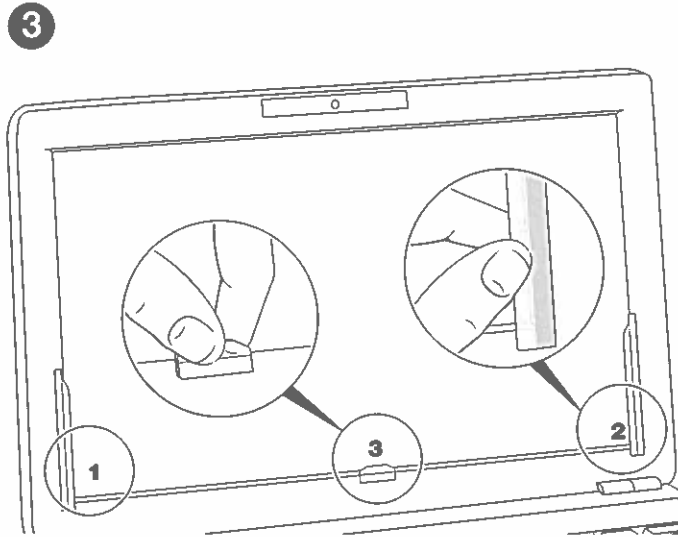
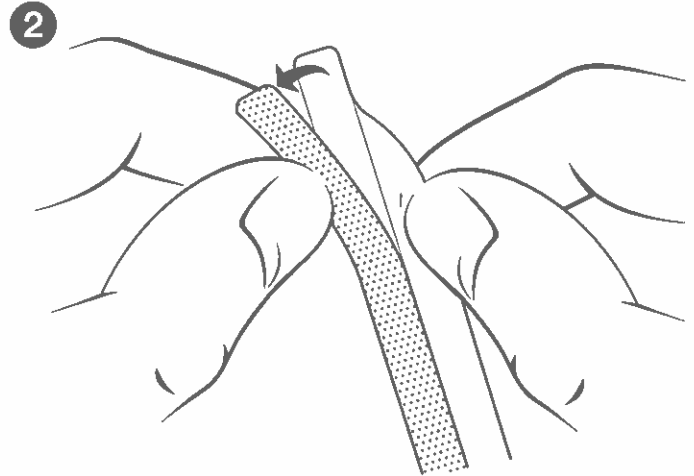
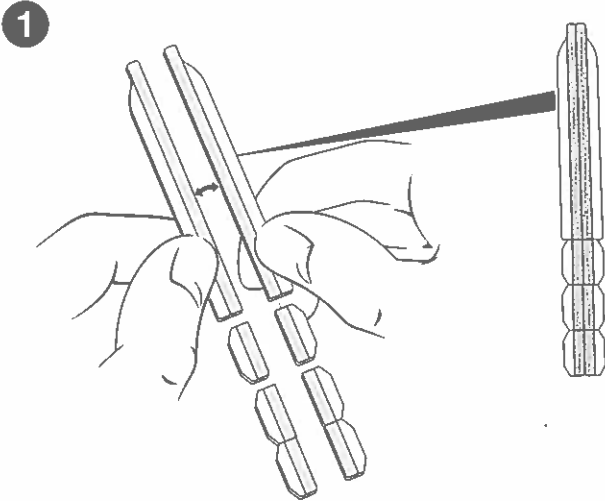
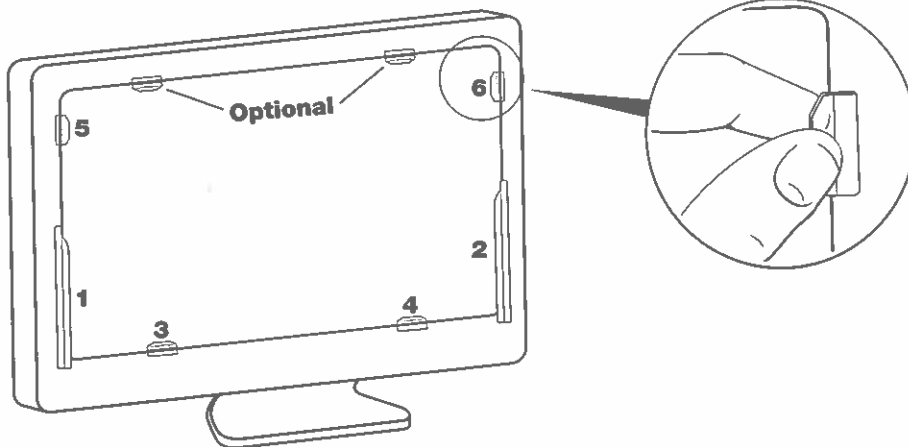


# Notebook/LCD Privacy Filter Assembly Instructions

## Option A



## Option B



### Instructions

- Your Privacy Filter comes with 8 tabs for use in attaching the filter to your notebook or LCD desktop monitor. Use as many tabs as you need based on the instructions above. Keep or discard any extra tabs.
- Slide your privacy filter behind the tabs with either the gloss or matte side facing you.
- Cleaning: Remove filter from screen. Clean with a soft, lint free cloth and water. Reinstall.